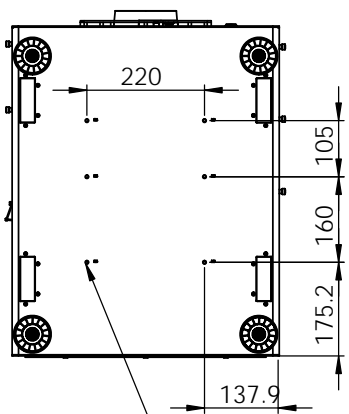
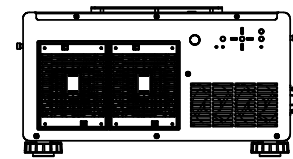
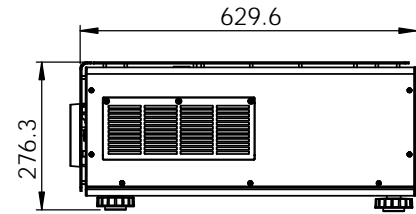
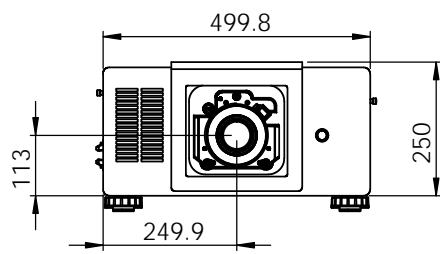
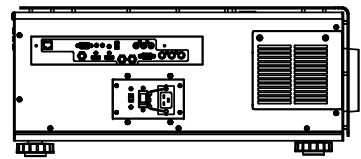
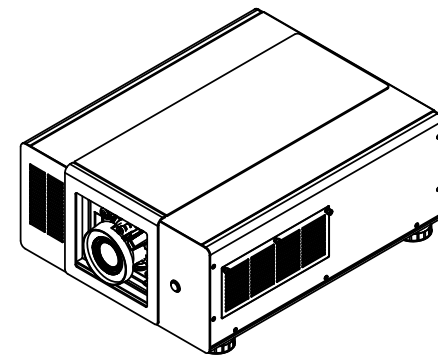
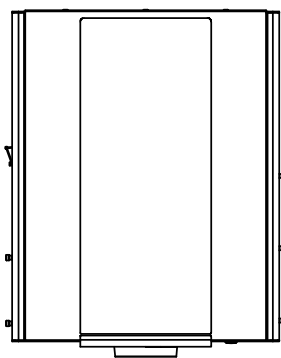


1


2

3

4



6-CEILING MOUNT HOLE
USE SCREW : M6*1 LENGTH=10mm(MAX.)

 台達電子工業股份有限公司 DELTA ELECTRONICS, INC.		Drawn:	Design:
THESE DRAWINGS AND SPECIFICATIONS ARE THE PROPERTY OF DELTA ELECTRONICS, INC. AND SHALL NOT BE REPRODUCED OR USED AS THE BASIS FOR THE MANUFACTURE OR SELL OF APPARATUSSES OR DEVICES WITHOUT PERMISSION.		Description: HTD-97A0	
DIMENSIONAL TOLERANCES () () () () () () <30 :±0.25 DECIMALS UP-100 :±0.2 250-300 :±0.4 UP-600 :±1.5 >30-100 :±0.35 X :±0.3 100-150 :±0.25 300-350 :±0.45 600-900 :±2.4 >100-300 :±0.5 X.X :±0.2 150-200 :±0.3 350-400 :±0.5 900-OVER :±3.1 ABOVE 300 :±0.6 X.XX:±0.1 200-250 :±0.35		Part No.	REV.
SCALE	1:20	UNIT	mm
USED ON		SHEET 1 OF 1	
A3 SIZE		00	

1

2

3

4